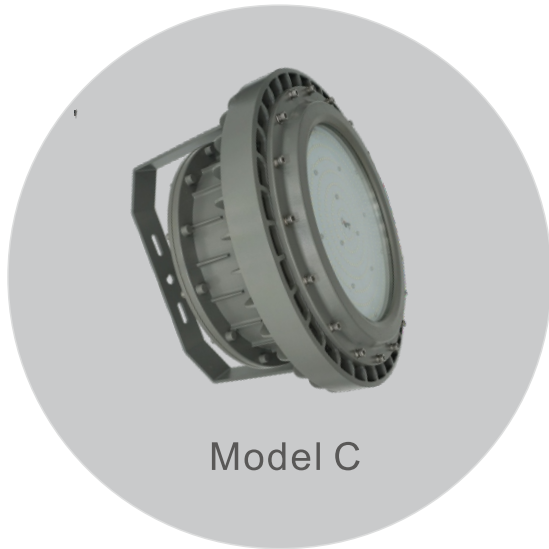


# Series C Specification



## Explosion Proof

LED High Bay/ Low Bay/ Flood Light/ Wall Pack



### Materials

- ★ Housing: copper free aluminum
- ★ Diffuser: Tempered glass
- ★ Hardware: stainless steel
- ★ Mounting Bracket: stainless steel

### Explosion Protection

Marking Atex	Ex II2 G Ex db op is IIB T4/ T5 Gb II2 D Ex op is tb IIIC T135° Db IP 66
Marking IECEx	Ex db op is IIB T4/ T5 Gb Ex op is tb IIIC T135° Db IP 66
Marking UL844 (North American)	Class I, Div. 1, Groups C, D Class I, Div. 2, Groups A, B, C, D Class II, Div. 1, Groups E, F, G Class II, Div. 2, Group F, G Class III
Marine Marking	UL 1598A ABS and DNV Type Approved
Other Rating	IP 66 IK 10

### Applications

Oil and Gas industry

- ★ All petroleum production and refining
- ★ Petroleum loading and transportation
- ★ Petroleum storage and retail
- ★ LNG industry
- ★ All mining operations and service

Chemical industry

- ★ All types of painting facilities
- ★ Chemical production and storage

Ocean, marine and aerospace field

- ★ Ocean platform operation facilities and structure
- ★ Aerospace clean room and production
- ★ Ocean vessel operations

Metal treatment

- ★ Steel and aluminum factories
- ★ Pumping stations in any environment
- ★ Metal smelting, foundry, manufacturing

Food and alcohol industry

- ★ Flour and fine particle production and storage
- ★ Food and distilling production
- ★ Alcohol industry

Other high humidity, high dust, high temperature, vapor locations

### Basic Data

Part Number	Wattage	CCT	Voltage Option	Lumens	Warranty	CRI	Emergency Time
YB-20W C2YZDA	20	4000K-5700K	AC100-277V □ AC200-480V □ DC12/24/36V □	2800	5 Years	70+	3 Hours
YB-60W C2YZDA	60			8400			
YB-80W C2YZDA	80			11200			
YB-100W C2YZDA	100			14000			
YB-150W C2YZDA	150			21000			
YB-200W C3YZDA	200			28000			
YB-300W C3YZDA	300			42000			

“C, C2, C3”= Product Code, “Y”= D or N: Dimmable or non-dimmable “Z”= CCT, from 4000-5700K “D”= Beam Angle, D40 for 40°, D60 for 60°, D90 for 90°, D120 for 120°  
A for glass info. blank for flat glass, C for spherical glass.

# Series C Specification

## Key Features

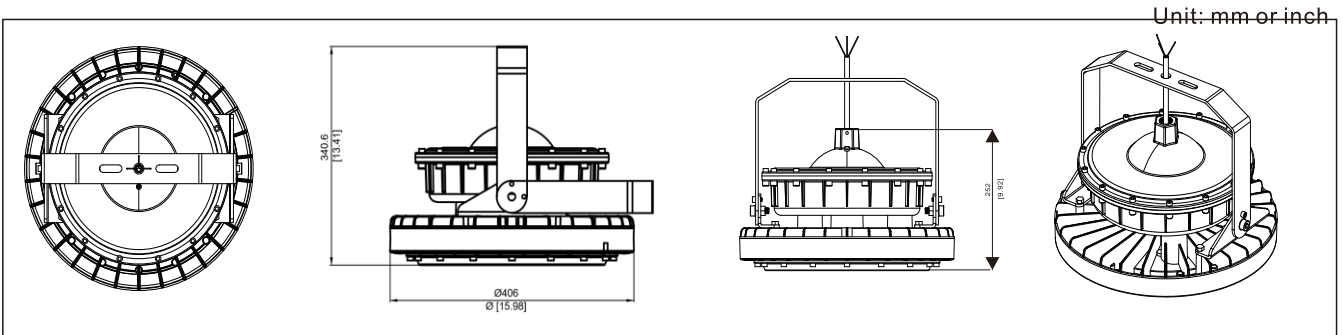
- High quality SMT LED and Meanwell Driver.
- Light-weight designed by aircraft aluminum.
- Heavy-duty and high impact resistance.
- Three connection cable entry points.
- Replaceable LED board and drivers.
- Integrated junction box for driver with emergency back up.
- Dimmable and battery backup function available.
- Marine rating powder coated appearance treatment.

## Value-Added Features

- 10kV surge protection.
- Up to ten years limited warranty option.
- Emergency Battery back up.
- Working temperature can be more than 85°C.
- Various installation ways for different applications.
- Glass lens or Glass with polycarbonate lens to make wider beam angle.
- High temperature luminaire which can work at 100°C available for high temperature environment .
- Made in USA is valuable option for customer.
- Customized motion sensor
- Advanced smart system options- Wifi & Bluetooth

## Mechanical Structure

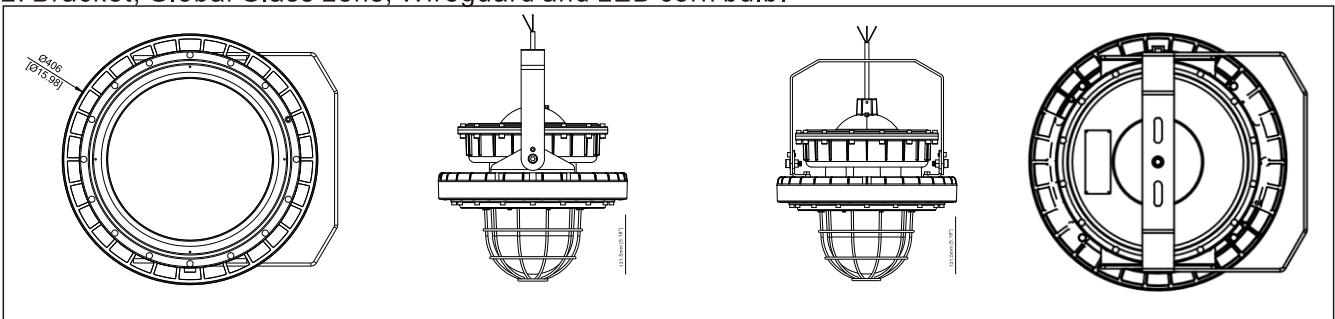
### C Series Housing Option A: Bracket and Flat Glass Lens



This structure type with bracket, flat glass and optical lens generates 40°, 60°, 90° and 120° light distribution.

### Housing Option B:

1. Bracket, Global Glass Lens, Wireguard and flat LED module.
2. Bracket, Global Glass Lens, Wireguard and LED corn bulb.

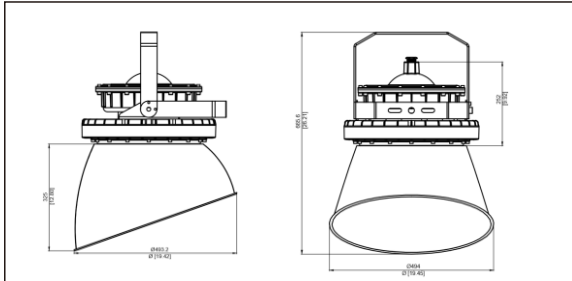


This structure type with bracket, global glass lens and wireguard generates 180° light distribution. We also can put corn bulb in the global glass lens to make this beam angle up to 360°.

# Series C Specification

## Housing Option C

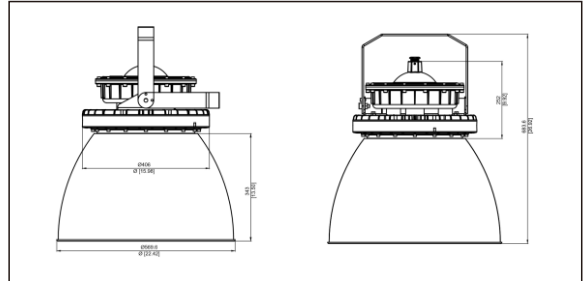
1. Bracket, Global Glass Lens, flat LED module and 30° cut off lampshade.
2. Bracket, Global Glass Lens, LED corn bulb and 30° cut off lampshade.



This structure can make the lighting distribution more concentrated for special beam angle.

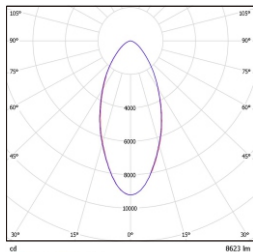
## Housing Option D

1. Bracket, Global Glass Lens, flat LED module and lampshade.
2. Bracket, Global Glass Lens, LED corn bulb and lampshade.



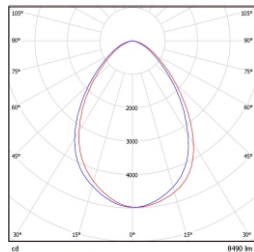
This structure can make the lighting distribution more concentrated.

## Lighting Distribution



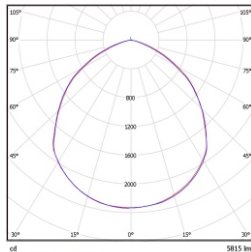
Beam Angle: 60°

Test Model: EX-80W AN50D60  
Flat Glass Lens



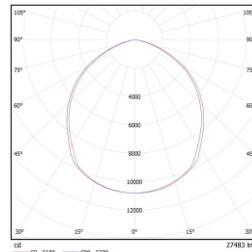
Beam Angle: 90°

Test Model: EX-80W AN50D90  
Flat Glass Lens



Beam Angle: 120°

Test Model: EX-40W A2N50D120  
Flat Glass Lens



Beam Angle: 120°

Test Model: EX-200W A3N50D120  
Flat Glass Lens

## Installation Manual

### WARNING

READ THIS INSTRUCTION CAREFULLY BEFORE INSTALLING. KEEP THIS INSTRUCTION FOR FUTURE REFERENCE.

FIXTURES MUST BE INSTALLED IN ACCORDANCE WITH THE APPLICABLE INSTALLATION CODE BY A QUALIFIED ELECTRICIAN WHO IS FAMILIAR WITH THE CONSTRUCTION AND OPERATION OF THE PRODUCT AND THE HAZARDS INVOLVED.

WARNING: RISK OF FIRE OR ELECTRIC SHOCK. HIGH BAY LIGHT INSTALLATION REQUIRES KNOWLEDGE OF LUMINAIRES AND ELECTRICAL SYSTEMS. IF NOT QUALIFIED, DO NOT TRY TO INSTALL. PLEASE CONTACT AN QUALIFIED ELECTRICIAN.

WARNING: RISK OF FIRE OR ELECTRIC SHOCK. SUITABLE FOR WET LOCATIONS. MAKE SURE THE POWER IS OFF PRIOR TO INSTALL.

WARNING: RISK OF FIRE OR ELECTRIC SHOCK. SUITABLE FOR NON-INSULATED SURFACE AND FRAME. DO NOT COVER FIXTURE WITH INSULATION LINER OR SIMILAR MATERIAL.

WARNING: DO NOT INSTALL IN UNSTABLE, LOOSE OR BREAKABLE SURFACES.

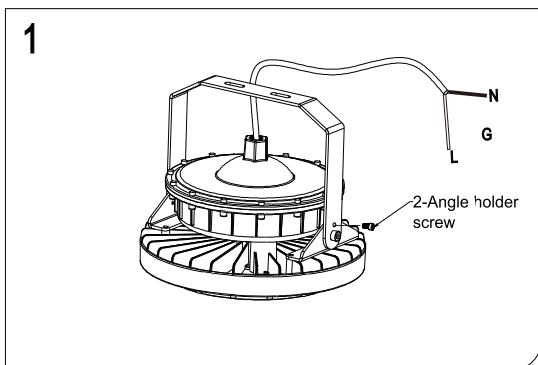
WARNING: DO NOT LET OBJECTS IMPACT OR EXERT FORCE ON THE SURFACE OF THE FIXTURE.

# Series C Specification

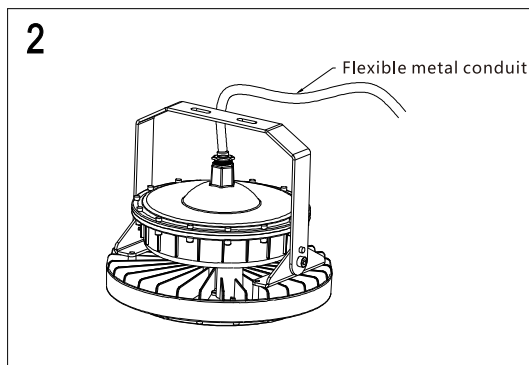


**WARNING**  
**RISK OF FIRE, ELECTRIC SHOCK OR PERSONAL INJURY**  
Before installation, turn power off.

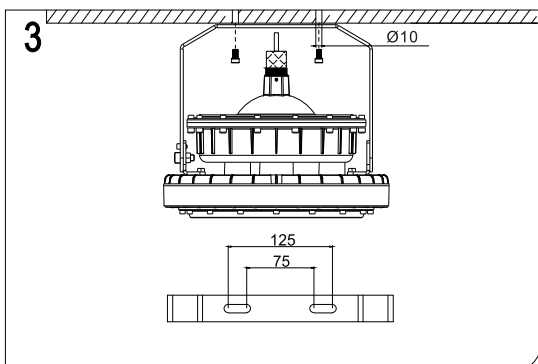
## Ceiling Mounting



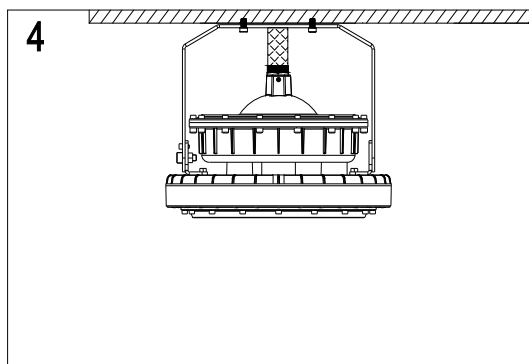
1. Take the fixture and accessory out from cartoon box, tighten 2x angle holder screw as Fig.1.



2. Flexible metal conduit tighten with the fixture.

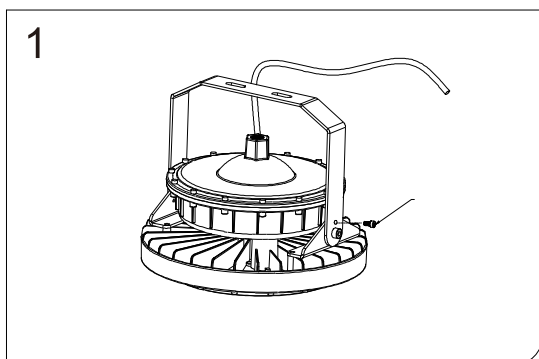


3. Drill 2x holes as fig.3, the distance can be 75~125mm fixing Ø10mm expanded screws and bracket on ceiling.

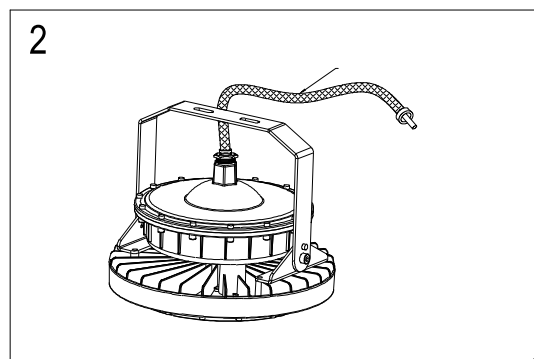


4. Connect the AC cable, Black cable connect to L, white cable connect to N, green cable connect to grounding.

## Wall Mounting

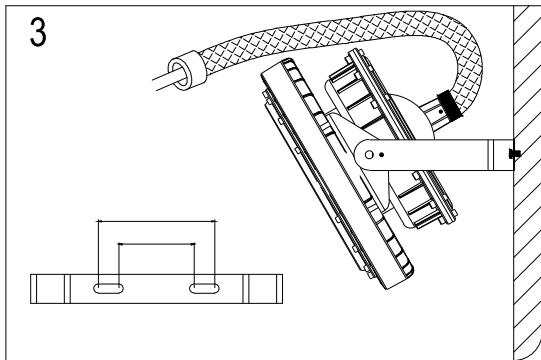


1. Take the fixture and accessory out from cartoon box, tighten 2x angle holder screw as Fig.1.

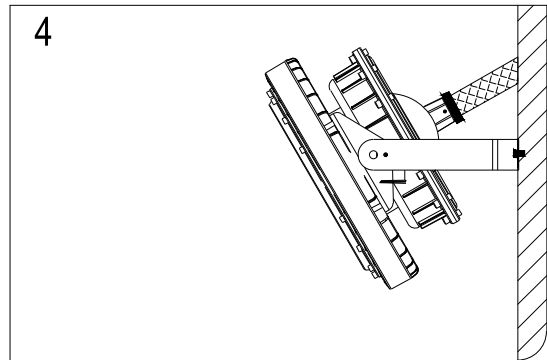


2. Flexible metal conduit tighten with the fixture.

# Series C Specification

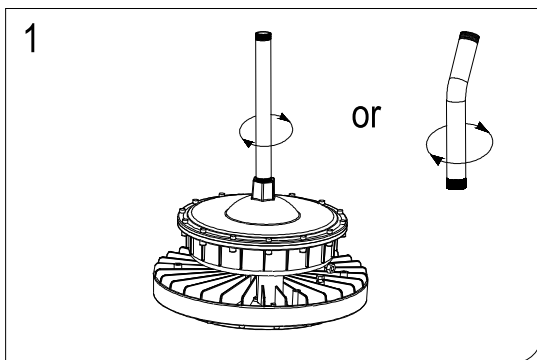


3. Drill 2x holes as fig.3, the distance can be 91~140mm fixing  $\varnothing$ 10mm expanded screws and bracket on wall.

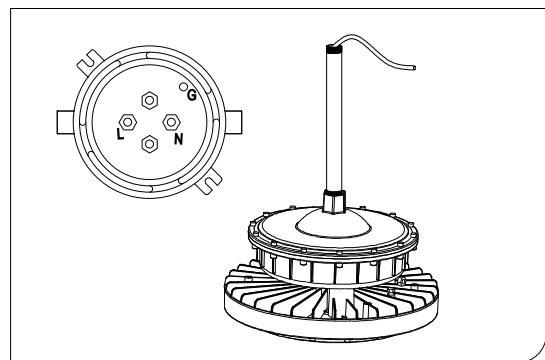


4. Connect the AC cable, Black cable connect to L, white cable connect to N, green cable connect to grounding.

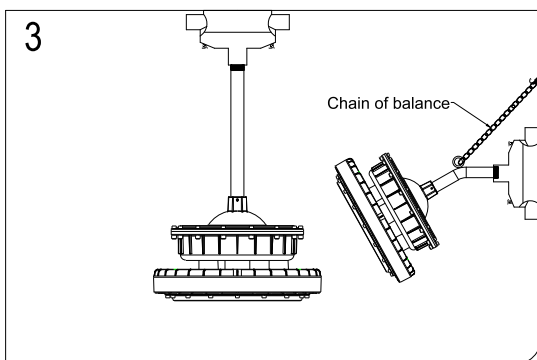
## Pole Mounting



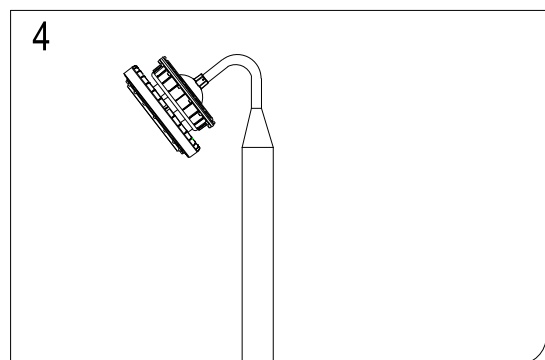
1. Take the fixture and pole accessory out from cartoon box, tighten pole as Fig.1.



2. Connect the AC cable to installation box, Black cable connect to L, white cable joins to N, green cable joins to grounding.



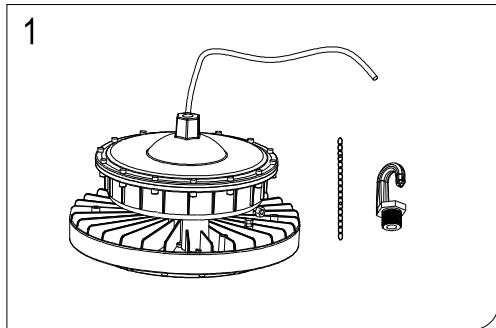
3. Install the installation box to the wall or ceiling as Fig.3. Tighten the pole to the box, and adjust the chain of balance.



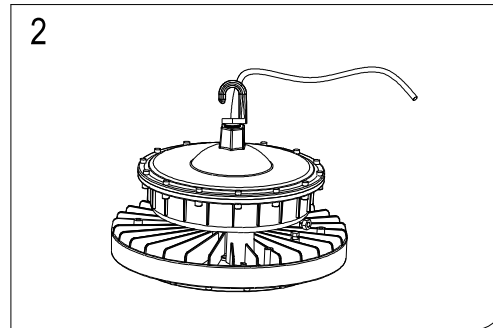
4. Install the fixture to the pole after cable connecting.

# Series C Specification

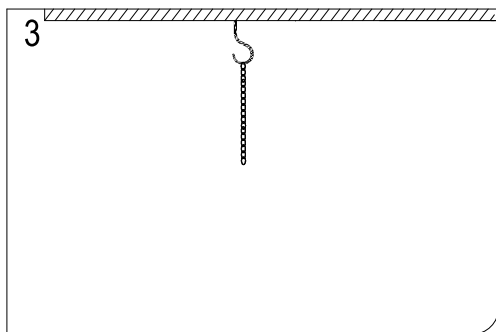
## Hook Mounting



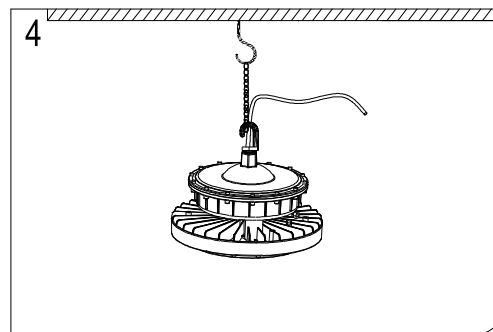
1. Take the fixture and accessory out from cartoon box as Fig.1.



2. Through the cable to the hook and Fig.2.



3. Drill 1x expanded screw hole and install it, and hang the chain as Fig.3.



4. Hang the fixture to the hook as above, connect the AC cable, Black cable connect to L, white cable joins to N, green cable connect to grounding.

## Packing Information

Model	Quantity/Ctn	Length (cm)	Width	High(cm)	Net weight (kg)	Gross weight (kg)
C2	1	47	47	34.5	14	16
C	1	55	52	36	17.4	19
C3	1	55.5	55.5	34.5	23	25

# Series C Specification

---

## Accessories



- Model: YB-Junction01  
Name: Junction Box  
Material: Aircraft Aluminum A383



- Model: YB-Hook  
Name: Installation Hook  
Material: Aircraft Aluminum A383



- Model: YB-Conduit01  
Name: Metal Conduit  
Material: Stainless Steel and Aluminum



- Model: YB-WPipe  
Name: Winding Swing Pipe  
Material: Iron with Power Coating



- Model: YB-SPipe  
Name: Winding Swing Pipe  
Material: Iron with Power Coating



- Model: YB-D01  
Name: Pendant Direction Adapter  
Material: Aircraft Aluminum A383



- Model: YB-MArm  
Name: Surface Mounting Arm  
Material: Aircraft Aluminum A383



- Model: YB-25PSupport  
Name: 25 Degree Pole Support  
Material: Aircraft Aluminum A383



- Model: YB-90PSupport  
Name: 90 Degree Pole Support  
Material: Aircraft Aluminum A383



- Model: YB-90JSupport  
Name: 90° Arm to Junction box  
Material: Aircraft Aluminum A383



- Model: YB-25JSupport  
Name: 25° Arm to Junction box  
Material: Aircraft Aluminum A383



- Model: YB-DArm  
Name: Direct Mounting Arm  
Material: Aircraft Aluminum A383



- Model: YB-PCH  
Name: Pendant Chain  
Material: Stainless Steel S30400
-